
BuzziHub

Product Specification Sheet

This document contains technical information about the BuzziHub



www.buzzi.space



Temporary work or meeting space

BuzziHub is a space where people can easily come together and share information. It has been designed to become a central point in the social life of an office. It can serve as an informal meeting room for temporary or full time employees.

BuzziHub has been designed in order to make you feel at home. It is a warm and comfortable environment made to facilitate communication and improve personal wellbeing.

Design by Alian Gilles

General

- 📍 Hub, Hub Single, Hub Side Left, Hub Side Right
 - Pattern: Inside: 3D Diamond | Rib
 - Outside: Flat
- 🌲 Structure: Poplar plywood: 18 mm | 0.71"
 - Cover: Inside: CME35H foam covered with fabric
 - Outside: layer of felt covered with Fabric, Rough, Trevira CS+, Memory 2
- 🔑 Flat Packed
 - Cushion, Armrest (optional)
- ⋯ Bicolor (optional)
 - Light (optional)

Acoustics



Absorption



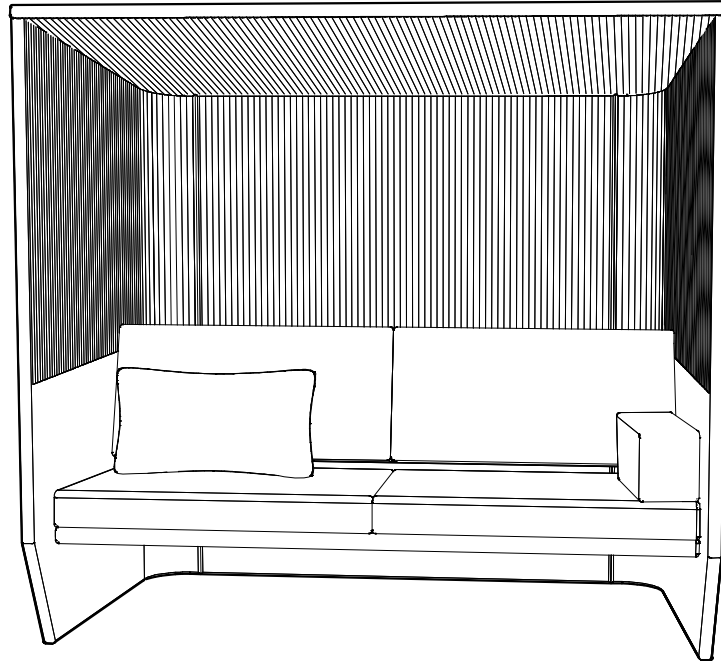
Attenuation

Content

Configurations	3
Options	6
Fabrics	8
Dimensions	12

Configurations

BuzziHub



Hub



Pattern: Inside: 3D Diamond | Rib
Outside: Flat

Core: Poplar plywood: 18 mm | 0.71"

Cover: Inside: CME35H foam covered with fabric



Outside: layer of felt covered with Fabric, Rough, Trevira CS+, Memory 2

Bench, Cushion, Armrest: upholstered in Fabric, Rough, Trevira CS+ | CS, Revive 1, Revive 2, Terra, Clara 2, Remix 2, Hero, Tonus 4, Tonus Meadow, Memory 2, Matrix

Height: 188 cm | 74.02"



Width: 201 cm | 79.13"

Depth: 117 cm | 46.06"



130 kg | 286.60 lbs

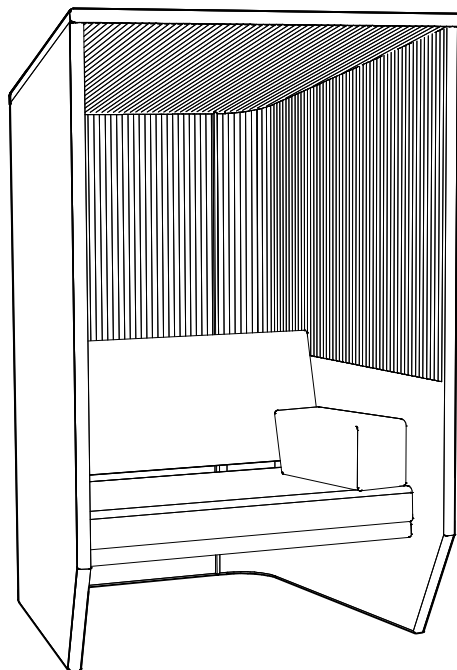
Cushion, Armrest (optional)



Bicolor (optional)

Light (optional)

BuzziHub Single



Hub Single



Pattern: Inside: 3D Diamond | Rib
Outside: Flat

Core: Poplar plywood: 18 mm | 0.71"

Cover: Inside: CME35H foam covered with fabric



Outside: layer felt covered with Fabric, Rough, Trevira CS+, Memory 2

Bench, Cushion, Armrest: upholstered in Fabric, Rough, Trevira CS+ | CS, Revive 1, Revive 2, Terra, Clara 2, Remix 2, Hero, Tonus 4, Tonus Meadow, Memory 2, Matrix

Height: 188 cm | 74.02"



Width: 119 cm | 46.85"

Depth: 117 cm | 46.06"



110 kg | 242.51 lbs

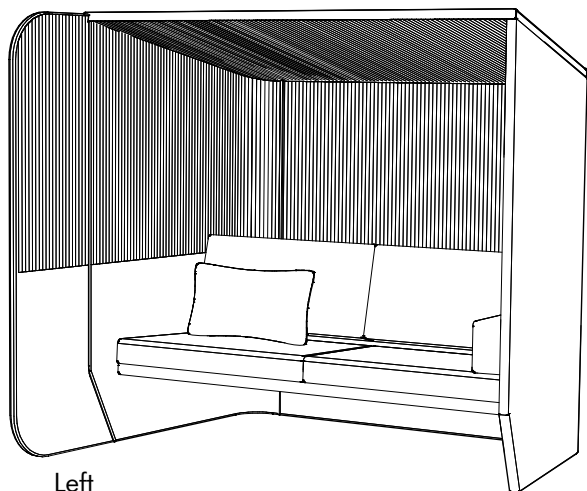
Cushion, Armrest (optional)



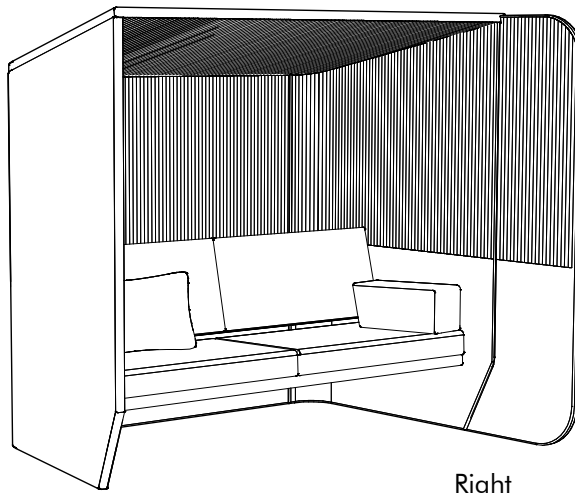
Bicolor (optional)

Light (optional)

BuzziHub Side Left | Right



Left



Right

Hub Side Left | Right



Pattern: Inside: 3D Diamond | Rib
Outside: Flat

Core: Poplar plywood: 18 mm | 0.71"

Cover: Inside: CME35H foam covered with fabric



Outside: layer felt covered with Fabric, Rough, Trevira CS+, Memory 2

Bench, Cushion, Armrest: upholstered in Fabric, Rough, Trevira CS+ | CS, Revive 1, Revive 2, Terra, Clara 2, Remix 2, Hero, Tonus 4, Tonus Meadow, Memory 2, Matrix

Height: 190 cm | 74.80"



Width: 201 cm | 79.13"

Depth: 170 cm | 66.93"



Hub Side Left | Right: 135 kg | 297.62 lbs

Cushion, Armrest (optional)

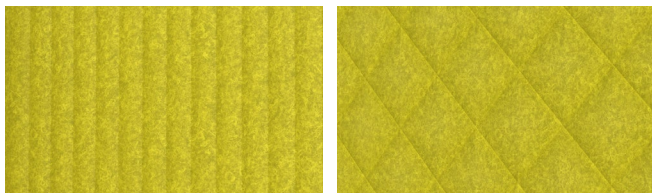


Bicolor (optional)

Light (optional)

Options

Pattern inside



Pattern inside: 3D Rib or Diamond

LED Light (optional)



Optional LED light located at the back of the Bench.
Specifications p.7

Cushion (optional)



Optional cushion
W 65 cm | 25.59"
L 35 cm | 17.78"

Armrest (optional)



Optional armrest
W 17,5 cm | 6.89"
L 52 cm | 20.47"
H 21 cm | 8.27"

Option BackLight

General

- 💡 Connectable integrated LED tube
- 🌲 Material: Aluminum body, Clear PC cover
- LED: SMD 3014
- 💡 Color temperature: 3000 Kelvin
- Input Voltage / Frequency: 100 - 277 V 50/60Hz



Certifications

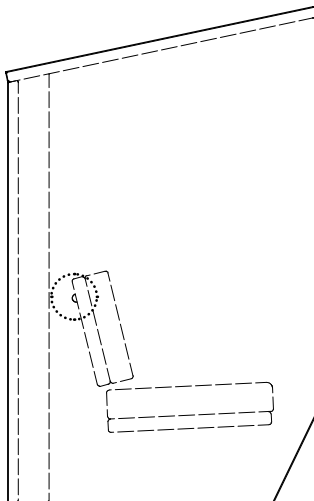
cULus Listed E471267
CE

Specifications per element

Wattage: 7W / element
Lumen: 700 ±10% / element
Length: 55,5 cm - 21.85" / element
1 On-Off switch / element

Accessories

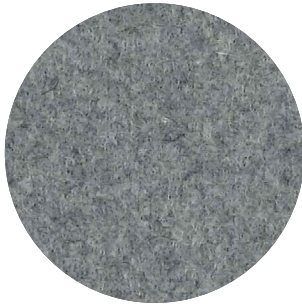
Power cable: White
4 m – 157.48"
Type B Plug (US, ...), Type G Plug (UK, ...) or Schuko Plug (BE, NL,...)
Mounting clips
Connector accessories



Fabrics

Panels available in: Fabric, Rough, Trevira CS+ or Memory 2
Bench, Cushion, Armrest available in: Fabric, Rough, Trevira CS+ | CS, Revive 1, Revive 2, Terra, Clara 2, Remix 2, Hero, Tonus 4, Tonus Meadow, Memory 2 or Matrix

Fabric



Category A

Composition 70% Recycled Wool, 25% Recycled Polyacryl,
5% Recycled Other Fabrics

Weight 405 g/m² | 11.94 oz/yd²

Abrasion resistance 40.000 Martindale, 50,000 Wyzenbeek

Flammability EU: EN 1021.1/2006 | BS EN 1021.1/2006 (cigarette).
EN 1021.2/2006 | BS EN 1021.2/2006 (match)
USA: CAL TB 117 | ASTM E84 CLASS A

Fastness to light EU: 4 | USA 4

Fastness to rubbing EU: Wet 3-4 | Dry 4-5

Fastness to crocking USA: Wet 5 | Dry 5



Rough



Category A

Composition 100% Polyacryl

Weight 456 g/m² | 13.45 oz/yd²

Abrasion resistance 40.000 Martindale

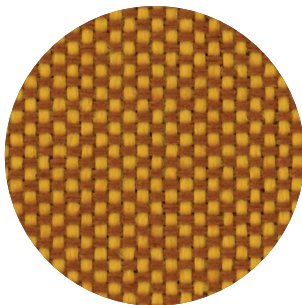
Flammability EU: EN 1021.1/2006 | BS EN 1021.1/2006 (cigarette)
USA: CAL TB TB 117

Fastness to light EU: 5

Fastness to rubbing EU: Wet: 3 | Dry: 3



Trevira CS+ | CS



Category A

Weight 420 g/m² | 12.39 oz/yd²

Composition 100% Polyester, Trevira CS

Abrasion resistance 100.000 Martindale, 90,000 Wyzenbeek

Flammability BS 5852 part II: CRIB 5 | BS 7176 Medium Hazard
USA: CAL TB 117 | M1 | B1 | EN 1021/1-2 | C1 |
IMO Res. A652 (16)

Fastness to light EU: 6 | USA 5

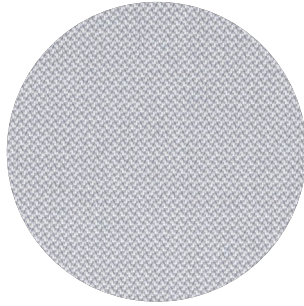
Fastness to rubbing EU: Wet 4-5 | Dry 4-5

Fastness to crocking USA: Wet 5 | Dry 5



Revive 1

kvadrat



Category A

Composition 100% recycled polyester FR

Weight 430 g/lin.m

Abrasion resistance 60.000 Martindale rubs, EN ISO 12947

Flammability EN 1021-1/2 | DIN 4102 B1 | Önorm B1/Q1
UNI 9175 11M | US Cal. Tech. Bull. 117
IMO A.652 (16)

Fastness to light Note 5-7, ISO 105-B02

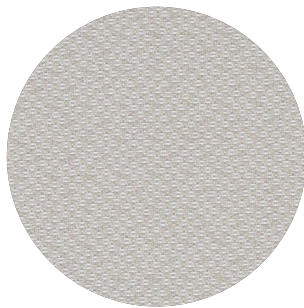
Fastness to rubbing (ISO) dry 5, wet 4-5

Pilling Note 4-5, EN ISO 12945



Revive 2

kvadrat



Category A

Composition 100% recycled polyester FR

Weight 420 g/lin.m

Abrasion resistance 45.000 Martindale rubs, EN ISO 12947

Flammability EN 1021-1/2 | DIN 4102 B1 | Önorm B1/Q1
UNI 9175 11M | US Cal. Tech. Bull. 117
IMO A.652 (16)

Fastness to light Note 5-7, ISO 105-B02

Fastness to rubbing (ISO) dry 5, wet 4-5

Pilling Note 4-5, EN ISO 12945



Terra



Category B

Composition 100% Pure New Wool

Weight 370 g/m² | 10.91 oz/yd²

Abrasion resistance 40.000 Martindale, 25,000 Wyzenbeek

Flammability EU: BS5852 CRIB 5 | BS5867 PART 2 : 2008 : TYPE B
EN: 1021.2/2006 | USA: CAL TB 117

Fastness to light EU 5 | USA 5

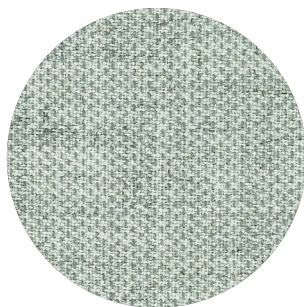
Fastness to rubbing EU: Wet 4 | Dry 4

Fastness to crocking USA: Wet 4 | Dry 4



Clara 2

kvadrat



Category B

Composition 92% new wool, 8% nylon

Weight 400 g/lin.m

Abrasion resistance 80.000 Martindale rubs, EN ISO 12947

Flammability EN 1021-1/2 | BS 5852, ignition source 2-3 | DIN 4102 B2
NF D 60 013 | UNI 9175 11M | US Cal. Tech. Bull. 117, Sec. E
NFPA 260 | IMO A.652(16)

Fastness to light Note 5-7, ISO 105-B02

Fastness to rubbing (ISO) dry 4-5, wet 4

Pilling Note 4, EN ISO 12945



Remix 2

kvadrat



Category B

Composition 90% new wool, 10% nylon

Weight 415 g/lin.m

Abrasion resistance 100.000 Martindale rubs, EN ISO 12947

Flammability EN 1021-1/2 | BS 5852 part 1

Önorm B1/Q1 | NF D 60 013 | UNI 9175, 1IM

AS/NZS 1530.3 | Cal. Tech. Bull. 117-2013

NFPA 260 | IMO FTP Code 2010:Part 8

Fastness to light Note 5-7, ISO 105-B02

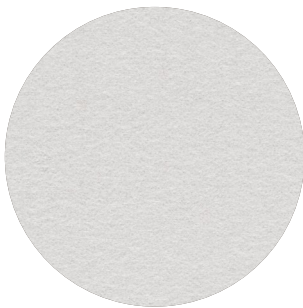
Fastness to rubbing (ISO) dry 4-5, wet 4

Pilling Note 4, EN ISO 12945



Hero

kvadrat



Category C

Composition 96% new wool, 4% nylon

Weight 580 g/lin.m

Abrasion resistance 45.000 Martindale rubs, EN ISO 12947

Flammability EN 1021-1/2 | DIN 4102 B2 | NF D 60 013

UNI 9175 1IM | US Cal. Bull. 117-2013 | NFPA 260

IMO A.652 (16)

Fastness to light Note 5-6, ISO 105-B02

Fastness to rubbing (ISO) dry 4-5, wet 4-5

Pilling Note 3-4, EN ISO 12945



Tonus 4

kvadrat



Category D

Composition 90% new wool, 10% Helanca

Weight 665 g/lin.m

Abrasion resistance 100.000 Martindale rubs, EN ISO 12947

Flammability EN 1021-1/2 | BS 5852 part 1 | DIN 4102 B2

Önorm B1/Q1 | NF D 60 013 | UNI 9175 1IM

US Cal. Bull. 117-2013 | NFPA 260 | IMO A.652 (16)

Fastness to light Note 5-7, ISO 105-B02

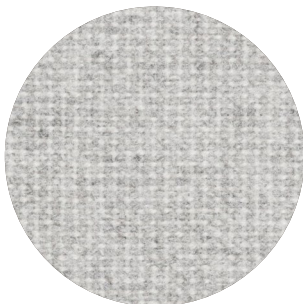
Fastness to rubbing (ISO) dry 3-5, wet 3-5

Pilling Note 3, EN ISO 12945



Tonus Meadow

kvadrat



Category D

Composition 90% new wool, 10% Helanca

Weight 665 g/lin.m

Abrasion resistance 100.000 Martindale rubs, EN ISO 12947

Flammability EN 1021-1/2 | BS 5852 part 1 | DIN 4102 B2

Önorm B1/Q1 | NF D 60 013 | UNI 9175 1IM

US Cal. Bull. 117-2013 | NFPA 260 | IMO A.652 (16)

Fastness to light Note 5-7, ISO 105-B02

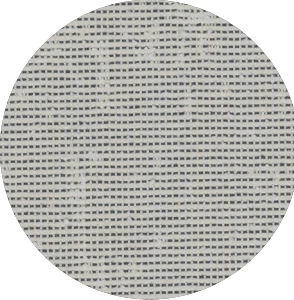
Fastness to rubbing (ISO) dry 4-5, wet 4

Pilling Note 3, EN ISO 12945



Memory 2

kvadrat



Category E

Composition 100% Trevira CS

Weight 700 g/lin.m

Abrasion resistance

35.000 rubs acc. to the Martindale method, EN ISO 12947

Flammability EN 1021-1/2 | DIN 4102 B1 | Önorm B1/Q1
NF D 60 013 | NF P 92 507 M1 | UNI 9175 11M
UNI 9177 classe 1 | US Cal. Tech. Bull. 117
IMO A.652 (16)

Fastness to light Note 5-8, ISO 105-B02

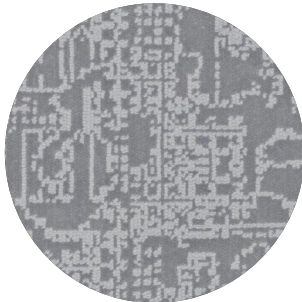
Fastness to rubbing (ISO) dry 4-5, wet 4-5

Pilling Note 4, EN ISO 12945



Matrix

kvadrat



Category F

Composition 100% Trevira CS

Weight 760 g/lin.m

Abrasion resistance

App. 60.000 rubs acc. to the Martindale method, EN ISO 12947

Flammability EN 1021-1/2 | BS 5852 crib 5 | BS 5867 part 2 type B
DIN 4102 B1 | Önorm B1/Q1 | NF D 60 013
UNI 9175 11M | US Cal. Tech. Bull. 117 | NFPA 701
IMO A.652 (16)

Fastness to light Note 5-7, ISO 105-B02

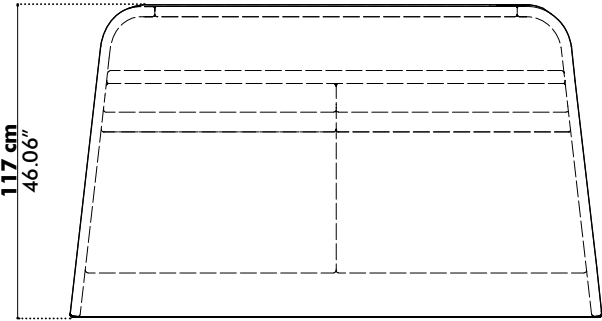
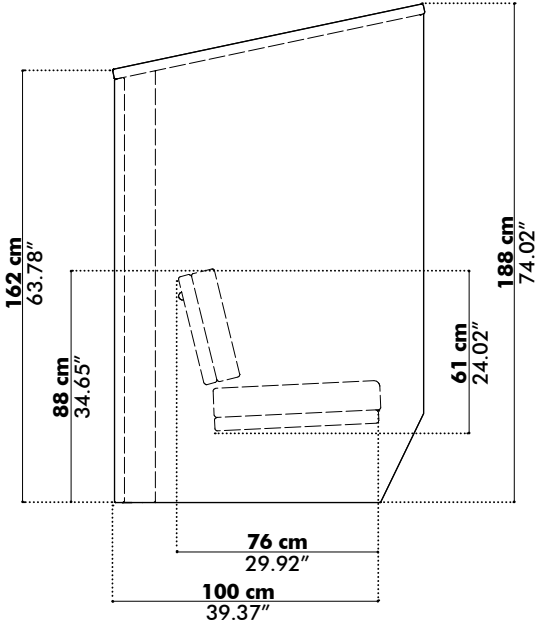
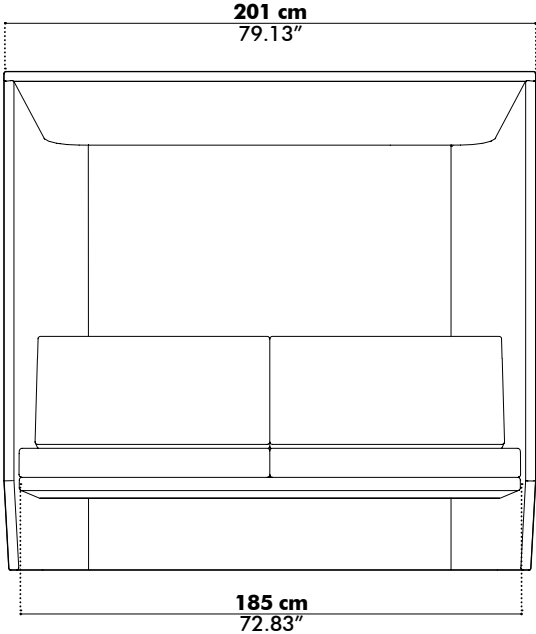
Fastness to rubbing (ISO) dry 4-5, wet 4-5

Pilling Note 4, EN ISO 12945

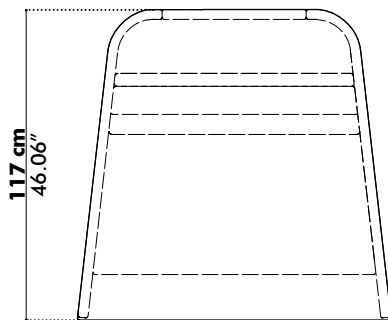
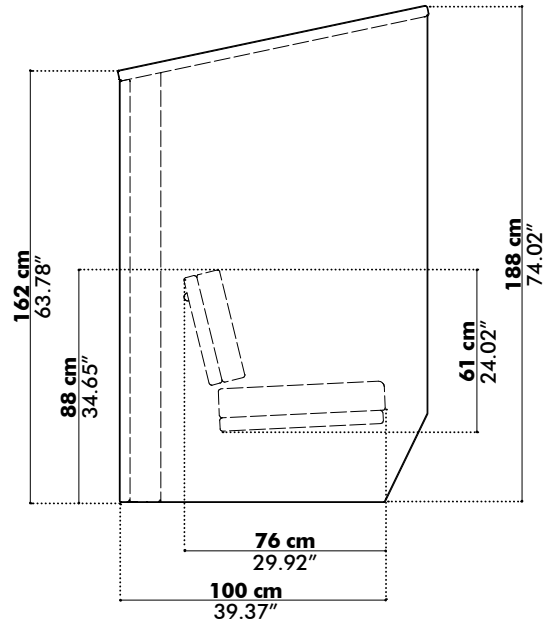
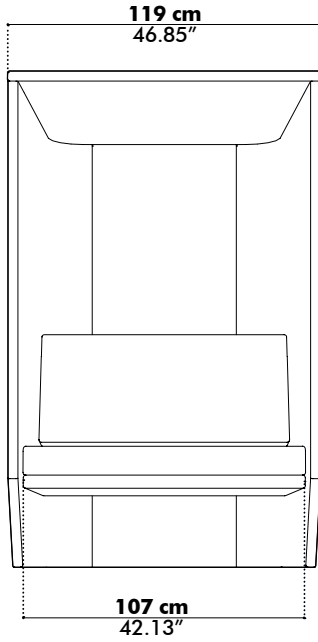


Dimensions

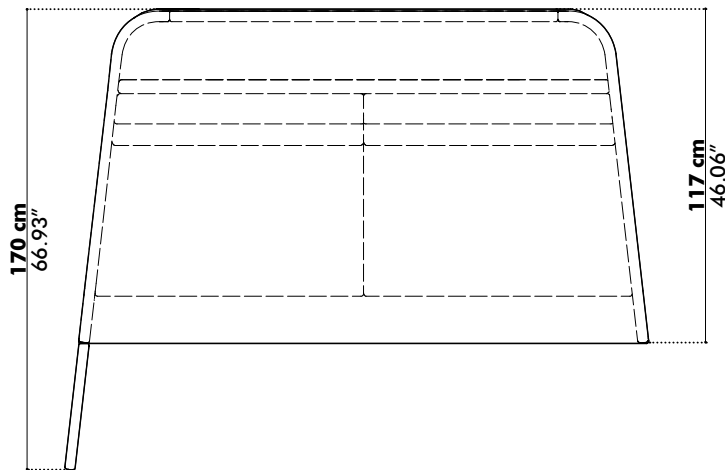
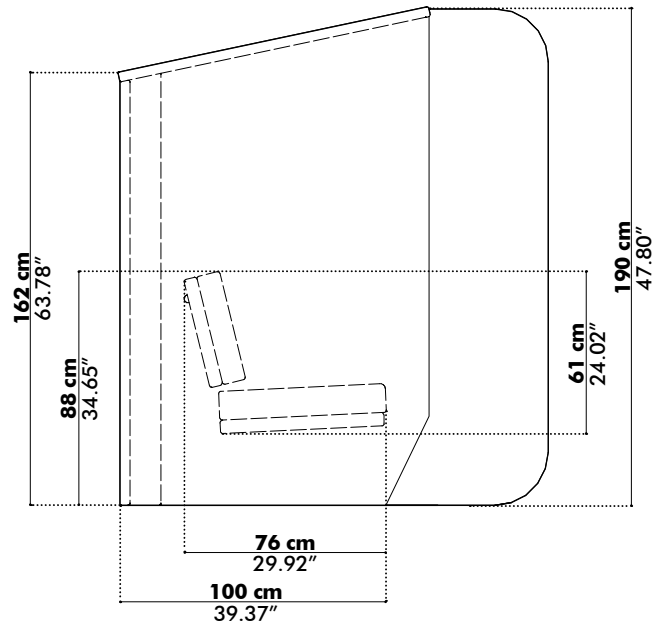
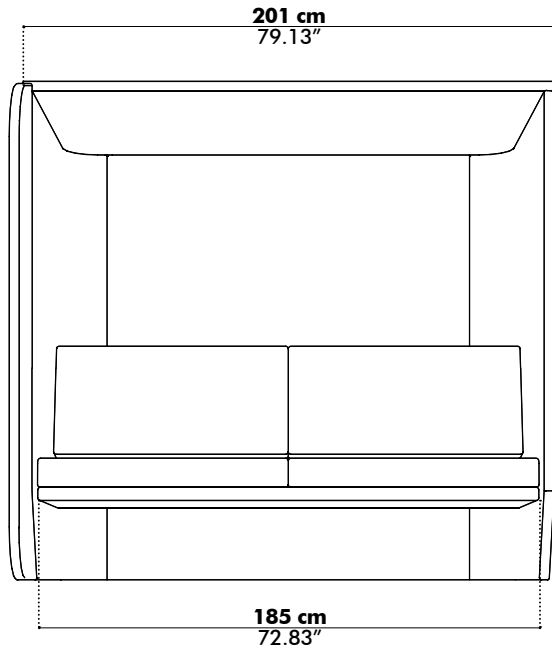
BuzziHub



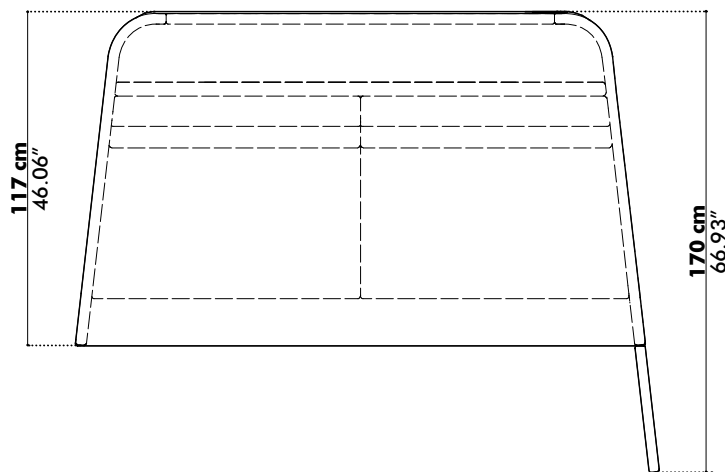
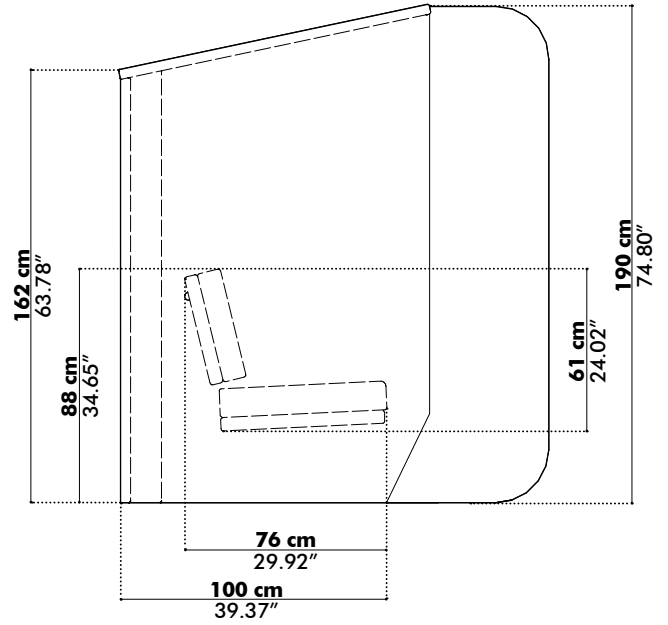
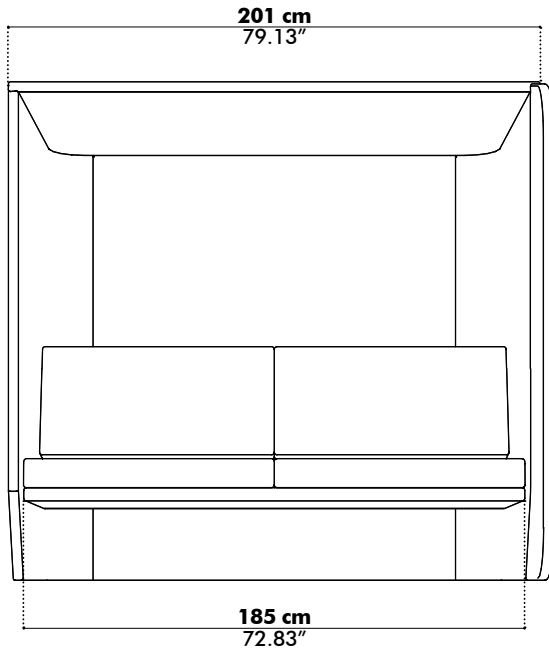
BuzziHub Single



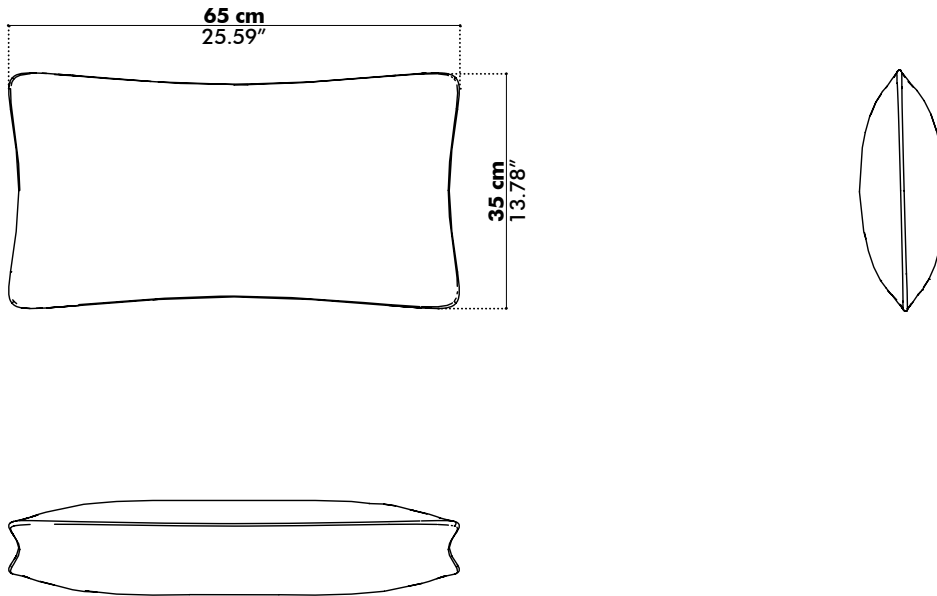
BuzziHub Side Left



BuzziHub Side Right



BuzziHub Cushion (optional)



BuzziHub armrest (optional)

