



BuzziGrid

Product Specification Sheet

This document contains technical information about the BuzziGrid



Ceiling element in BuzziFelt

The BuzziGrid is a sound buffer that limits the echo in a room.

It takes its formal inspiration from the structures that have been widely used in the 60's and 70's to partially hide ceilings in public spaces. In this case the grid has been turned into a functional sound absorbing product that can be used in meeting rooms, in lobbies, or in public spaces in order to define specific areas.

Design by Alain Gilles

General



BuzziGrid
Pendant Fixing

Core: white PVC 4 mm | 0.16"



Cover: BuzziFelt 6 mm | 0.24" (Both Sides)

Aluminium cable set: 200 cm | 78.74"
Ø 1,5 mm | Ø 0.06"



W 183 cm L 300 cm H 20,5 cm
W 72.05" L 118.11" H 8.07"



28,4 kg | 62,61lbs



Aluminium cable set 500 cm | 196,85"
Bicolor (every panel has one side in a different color)



If installing on suspended ceiling, verify load capacity prior to installation.

Acoustics



Absorption



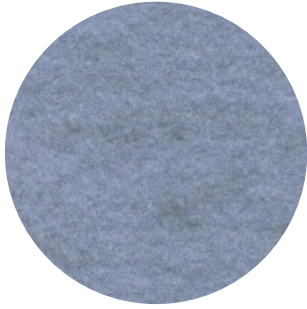
Diffusion

Content

Fabrics	3
Fixing system	3
Dimensions	4
Acoustics	6

Fabrics

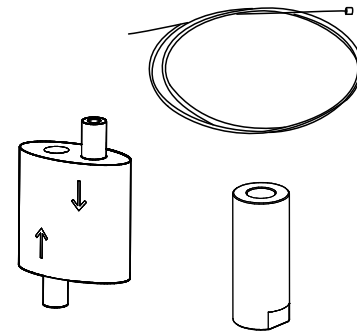
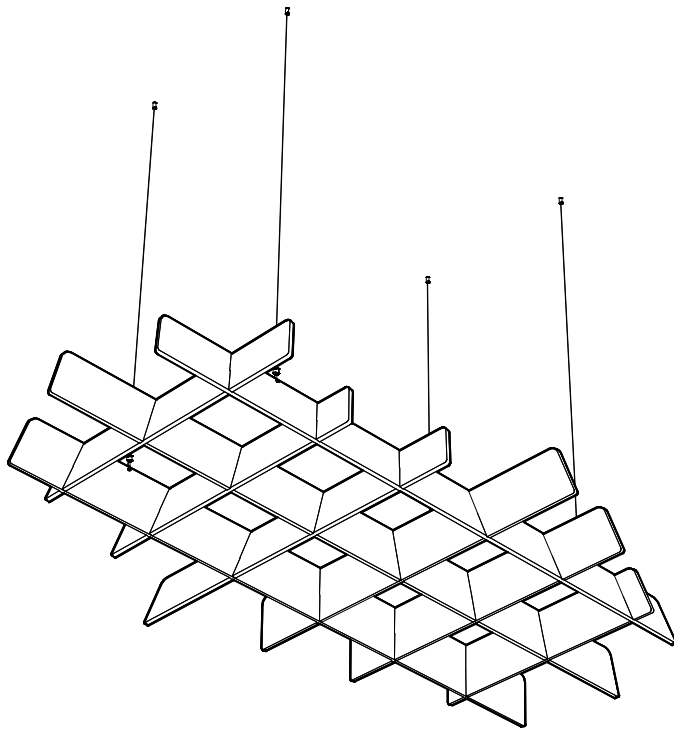
Felt



Composition 100% Recycled P.E.T. Felt
Weight 1.000 g/m² | 29.49 oz/yd²
Abrasion resistance >7.000 Martindale
Flammability EU: EN 13501.1+A1/2009
BS476 Part 6 and 7 Class 0
USA: ASTM E84 Class B certified
Fastness to light USA 5

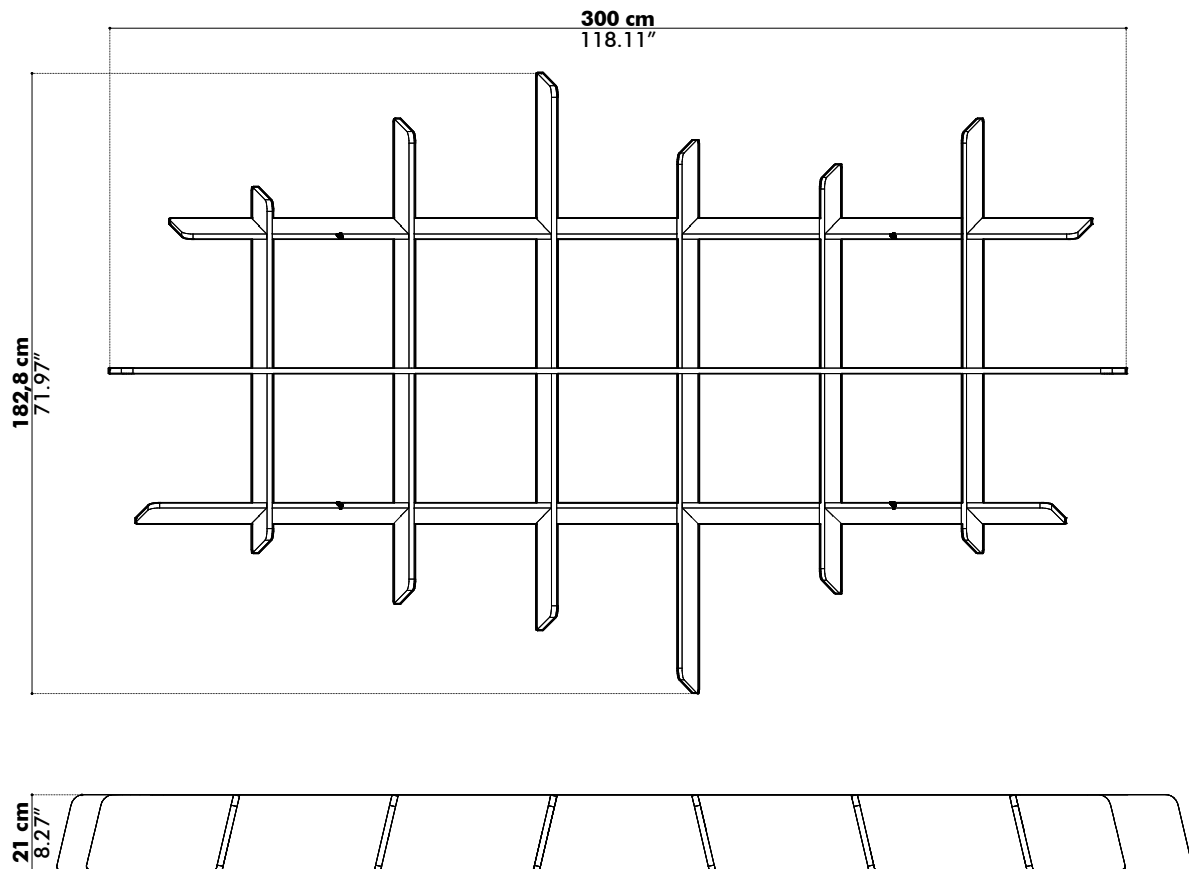


Fixing System

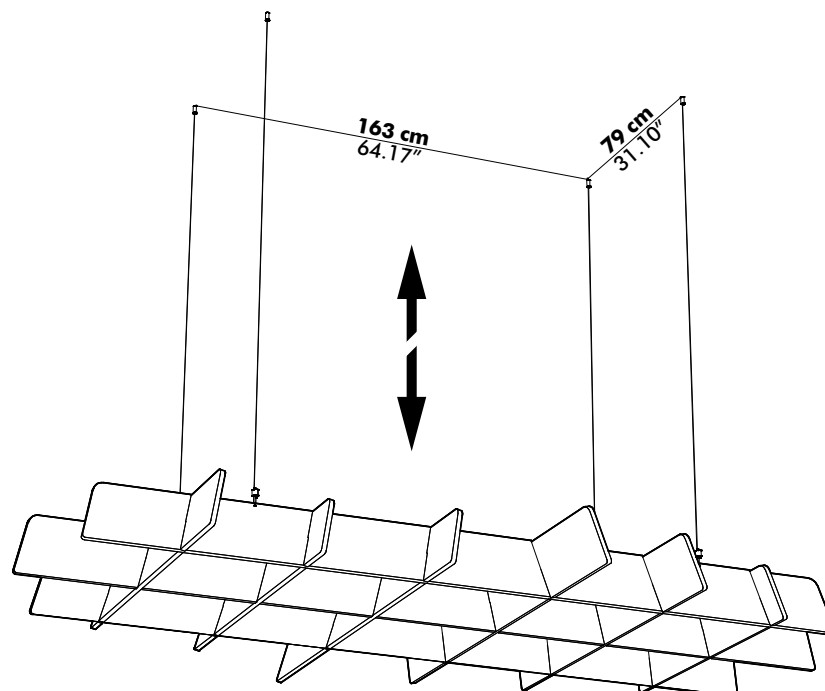


- Screws for ceiling not included, 4 stair bolts M6 needed.
- 4 cables 200 cm Ø 1,5 mm
78.74" Ø 0.06"
or optional 500 cm Ø 1,5 mm
196.85" Ø 0.06"

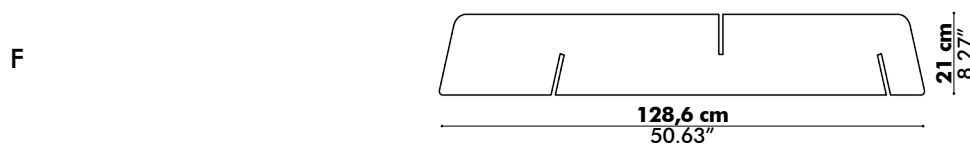
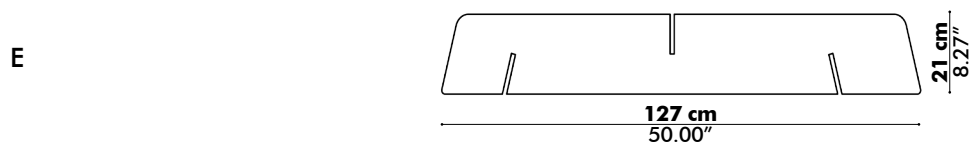
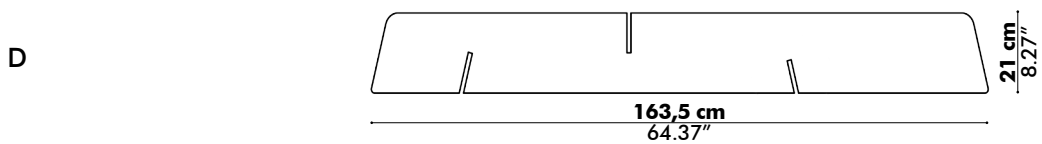
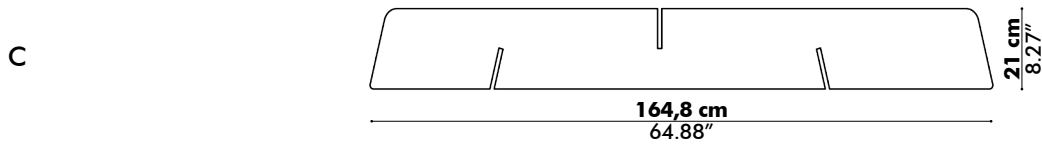
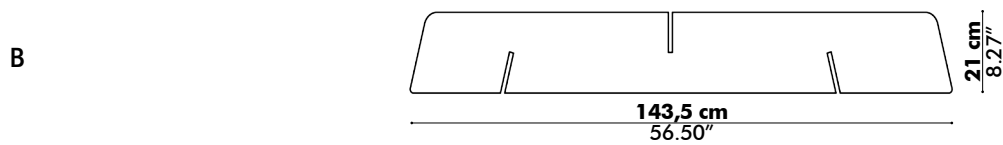
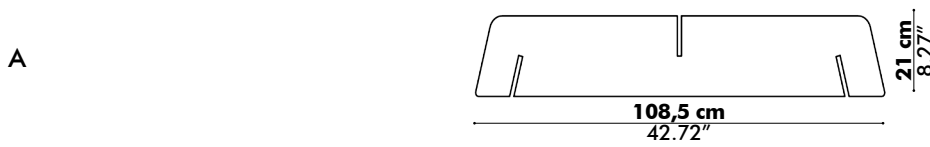
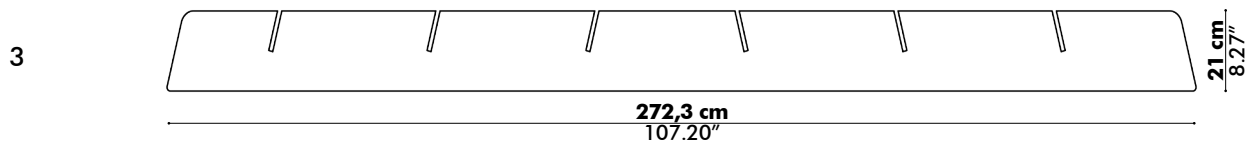
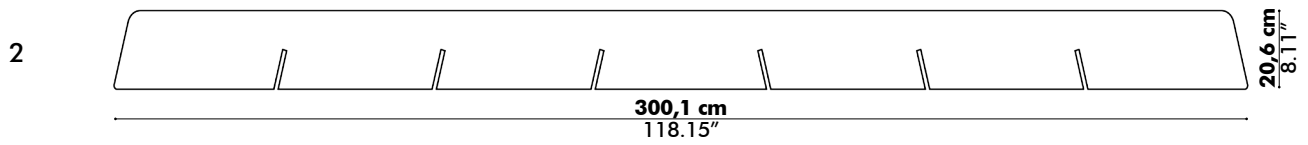
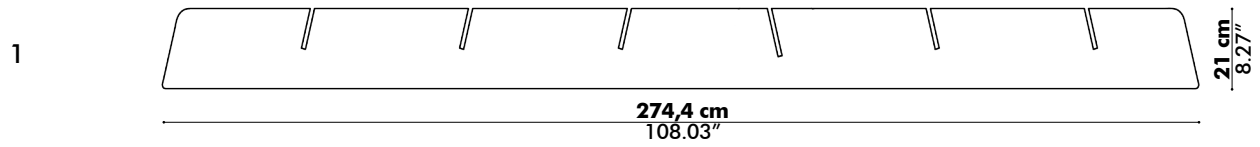
Dimensions



Dimensions fixing points



Dimensions blades



Acoustics

BuzziGrid

Equivalent sound absorption area in m² per object

